

## Model **HAI-MKA**

### **Filter hood with frontal make-up air**

**C**




### **Suggested model**

- **Restaurant chains**  
(hospitals, schools, hotels, etc.)

#### **Description :**

HCE wall-type exhaust hood model HAI-MKA complete with baffle filters.

#### **Specifications:**

- Constructed of sturdy 18-gauge (1.2 mm) stainless steel
- Available in lengths of 3' 0" to 16' 0" (914 mm to 4,877 mm)
- Washable baffle filters
- Replacement tempered air distributed at front of hood
- Improves productivity by ensuring efficiency, performance and comfort for the kitchen staff
- Easy installation
- Listed 
- Many options available (see reverse)
- Quick delivery

#### **Construction :**

Exposed hood surface: type 430 stainless steel (304 optional) with #4 finish (brushed). Non-exposed hood surface: stainless steel with #2B finish. Minimum 18-gauge (1.2 mm) thickness. All visible welded joints are polished to match original finish. To meet NFPA- 96 requirements.

#### **Installation :**

##### Suspension (recommended height)

The hood should be installed 6' 6" (1,981 mm) from the floor. Hanging brackets are welded at all four corners.

##### Semi-combustible materials

A clearance of 3" (76 mm) is required when the hood is in contact with semi-combustible materials. As per NFPA-96 standards, a stainless steel spacer will be required.

#### **Enclosure panels (optional):**

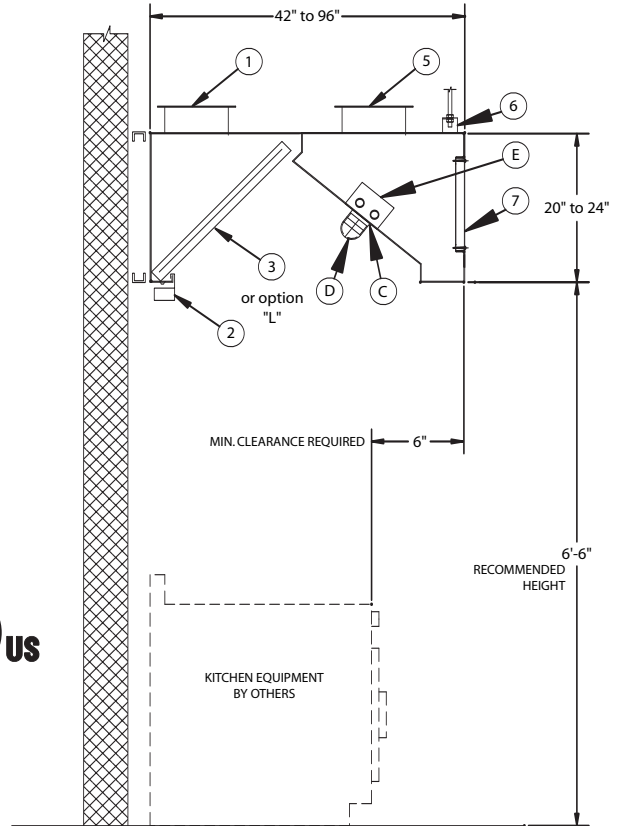
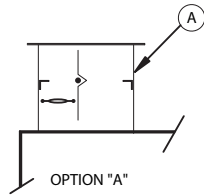
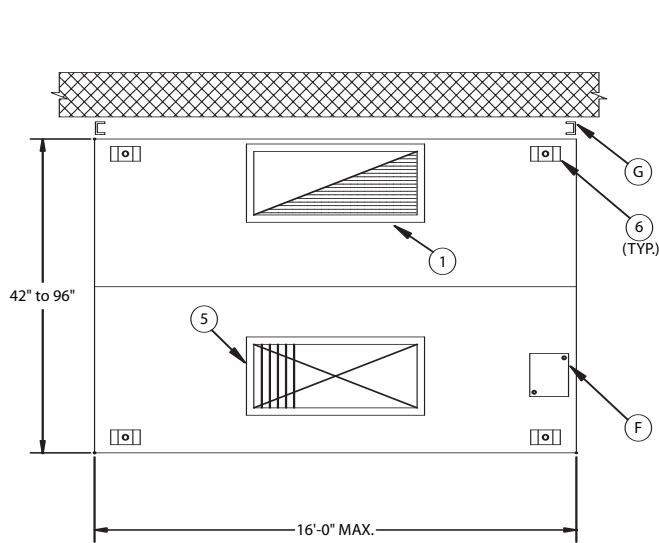
The space between the top of the hood and the ceiling may be closed with stainless steel panels in the same finish as the hood.

#### **Electrical:**

Junction box and pre-wiring for lighting system may be factory installed if required.

## C

### Filter hood with frontal make-up air



#### Optional accessories: (see section "K" for details)

<b>A</b>	ULC-listed exhaust collar with fire damper
<b>B</b>	ULC-listed exhaust collar with balancing damper
<b>C</b>	Incandescent lights (Quantity recommended: (1) light per 5 linear feet of hood)
<b>D</b>	Wire guard for incandescent lights
<b>E</b>	36" or 48" fluorescent lights (Quantity recommended: (1) light per 8 linear feet of hood)
<b>F</b>	Junction box and pre-wiring for lighting
<b>G</b>	3" spacer for clearance to meet NFPA- 96 requirements
<b>H</b>	Enclosure panels, stainless steel with #4 finish, between hood and ceiling
<b>I</b>	PAC-02 programmable control panel
<b>J</b>	End skirts should be used to maximize hood performance
<b>L</b>	ULC-listed stainless steel baffle filters

#### Accessories included:

<b>1</b>	Exhaust collar (3" high)
<b>2</b>	Used grease receptacle
<b>3</b>	ULC-listed galvanized steel baffle filters
<b>5</b>	Supply collar with ULC-listed fire damper
<b>6</b>	Hanging brackets
<b>7</b>	Stainless steel supply grid



# Model **HAI-MKA**



## Filter hood with frontal make-up air

Length		260 CFM (125 L/S) / Linear Ft. *				Supply		Collar/Opening 12" (305 mm) x _____	
Feet	mm	Exhaust		Collar/Opening 10" (254 mm) x _____		CFM	L/S	Inches	mm
		CFM	L/S	Inches	mm				
3'-6"	1068	910	430	10	254	700	330	12	305
4'-0"	1220	1040	490	12	305	800	380	12	305
4'-6"	1372	1170	550	12	305	900	425	14	356
5'-0"	1524	1300	615	14	355	950	450	14	356
5'-6"	1676	1430	675	16	405	1050	500	16	406
6'-0"	1828	1560	735	16	405	1150	545	16	406
6'-6"	1981	1690	800	18	457	1200	570	18	457
7'-0"	2134	1820	860	20	508	1400	660	20	508
7'-6"	2286	1950	920	22	558	1500	710	22	559
8'-0"	2438	2080	980	24	610	1600	755	22	559
8'-6"	2590	2210	1045	24	610	1700	800	24	610
9'-0"	2743	2340	1105	26	660	1800	850	24	610
9'-6"	2895	2470	1165	28	711	1950	920	26	660
10'-0"	3048	2600	1230	28	711	2000	945	28	711
10'-6"	3200	2730	1290	30	762	2150	1015	(2) 16	(2) 406
11'-0"	3352	2860	1350	32	812	2300	1085	(2) 16	(2) 406
11'-6"	3505	2960	1410	(2) 16	(2) 405	2400	1130	(2) 18	(2) 457
12'-0"	3657	3120	1470	(2) 18	(2) 457	2500	1180	(2) 18	(2) 457
12'-6"	3810	3250	1535	(2) 18	(2) 457	2600	1225	(2) 18	(2) 457
13'-0"	3962	3380	1595	(2) 18	(2) 457	2700	1275	(2) 20	(2) 508
13'-6"	4115	3510	1635	(2) 20	(2) 508	2800	1320	(2) 20	(2) 508
14'-0"	4267	3640	1720	(2) 20	(2) 508	2950	1390	(2) 20	(2) 508
14'-6"	4420	3770	1780	(2) 20	(2) 508	3050	1440	(2) 22	(2) 559
15'-0"	4572	3900	1840	(2) 22	(2) 558	3150	1485	(2) 22	(2) 559
15'-6"	4724	4030	1900	(2) 22	(2) 558	3260	1540	(2) 24	(2) 610
16'-0"	4877	4160	1965	(2) 24	(2) 610	3360	1585	(2) 24	(2) 610

\* Exhaust for 42" (1,065 mm) and 48" (1,220 mm)-deep hoods. Contact us for assistance to determine the appropriate air volume.



	Exhaust VOLUME (CFM / Lin. Ft.)	Internal pressure loss (IN / H <sub>2</sub> O)	Exhaust VOLUME (L/S per linear metre)	Internal pressure loss (Pa)
Light cooking	175	0,30	270	75
Medium cooking	260	0,40	400	100
Heavy cooking	350	0,60	540	150