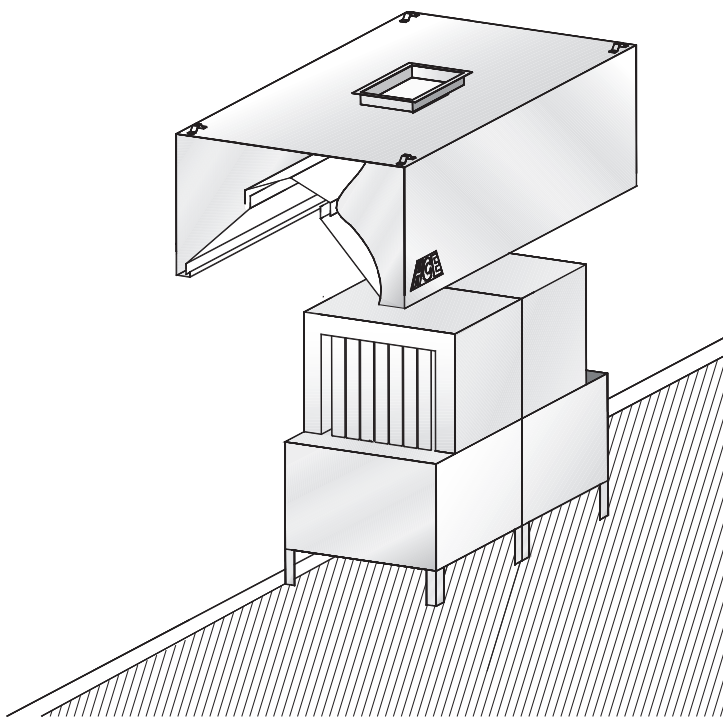


Model **HAI-V**

Vapor Hood

D



Description :

HCE wall-type or central vapor exhaust hood without filters.
Model HAI-V.

Specifications :

- Constructed of sturdy 18-gauge (1.2 mm) stainless steel
- Up to 16' 0" (4,877 mm) in length
- Easy installation
- Many options available (see reverse)
- Quick delivery

Construction :

Exposed hood surface: type 430 stainless steel (304 or 316 optional) with #4 finish (brushed). Non-exposed hood surface: stainless steel with #2B finish. Minimum 18-gauge (1.2 mm) thickness. All visible welded joints are polished to match original finish. To meet NFPA- 96 requirements.

Installation :

Suspension (recommended height)

The hood should be installed 6' 6" (1,981 mm) from the floor. Hanging brackets are welded at all four corners.

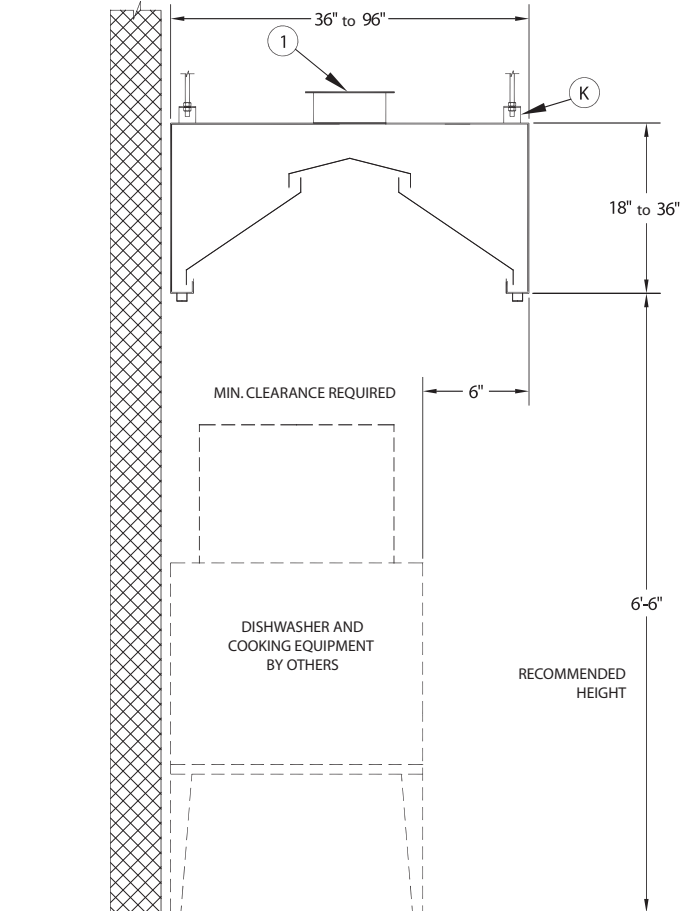
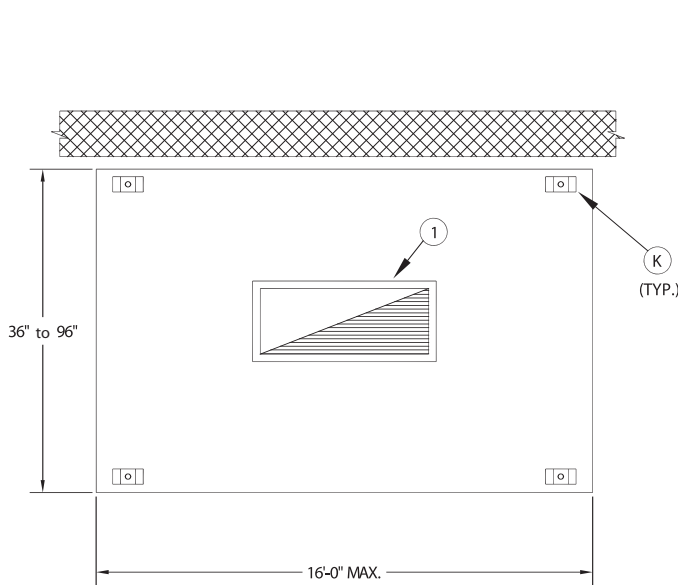
Enclosure panels (optional) :

The space between the top of the hood and the ceiling may be closed with stainless steel panels in the same finish as the hood.

Suggested model

- Vapor hood

D Vapor hood



Optional accessories: (see section "K" for details)

1	Exhaust collar (3" high)
A	cULus-listed exhaust collar with fire damper
B	cULus-listed exhaust collar with balancing damper
H	Enclosure panels, stainless steel with #4 finish, between hood and ceiling
I	PAC-02 programmable control panel
J	End skirts should be used to maximize hood performance