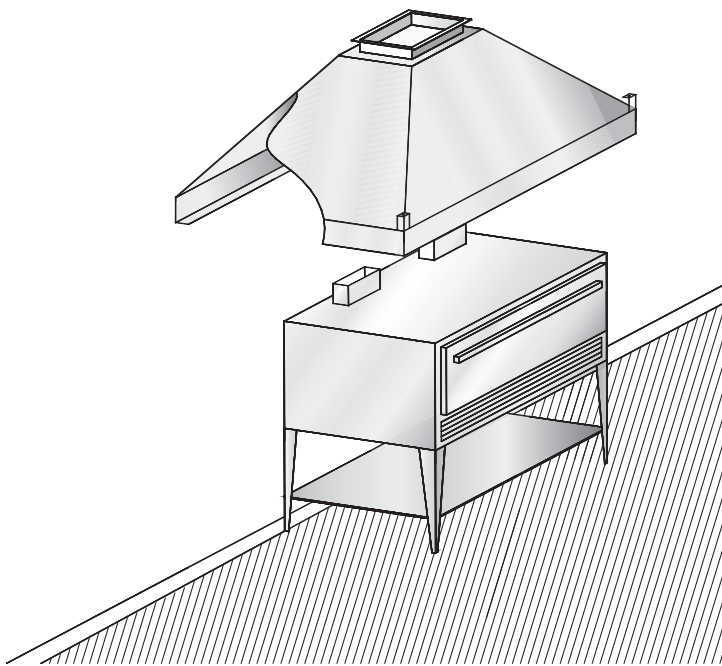


Model **HAI-PP**

**Non-filtered hood**

**D**



**Description :**

HCE wall-type or central tapered exhaust hood without filters.  
Model HAI-PP.

**Specifications :**

- Constructed of sturdy 18-gauge (1.2 mm) stainless steel
- Up to 16' 0" (4,877 mm) in length
- Easy installation
- Many options available (see reverse)
- Quick delivery

**Construction :**

Exposed hood surface: type 430 stainless steel (304 or 316 optional) with #4 finish (brushed). Non-exposed hood surface: stainless steel with #2B finish. Minimum 18-gauge (1.2 mm) thickness. All visible welded joints are polished to match original finish. To meet NFPA- 96 requirements.

**Installation :**

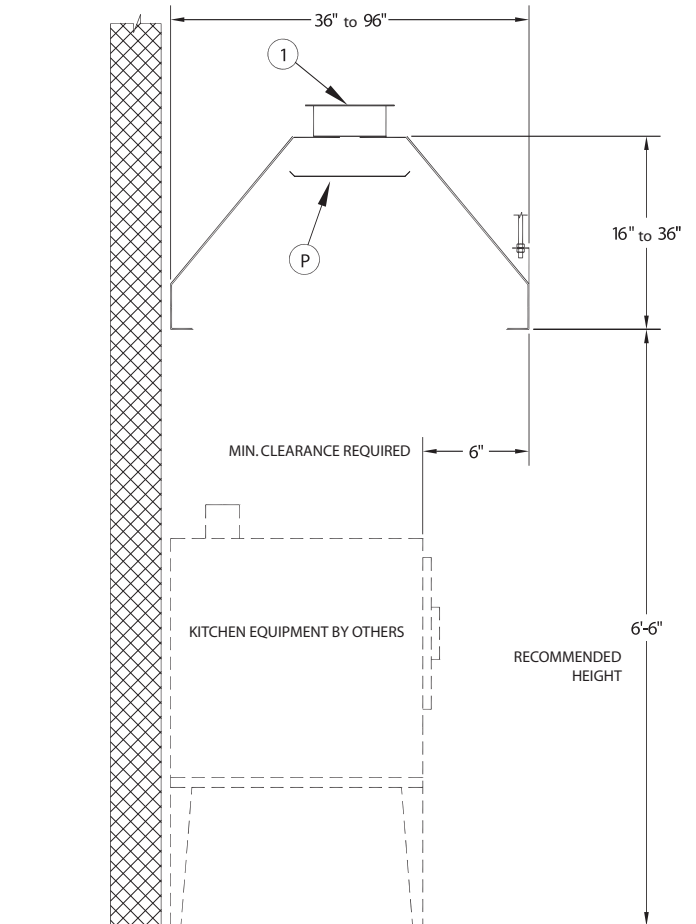
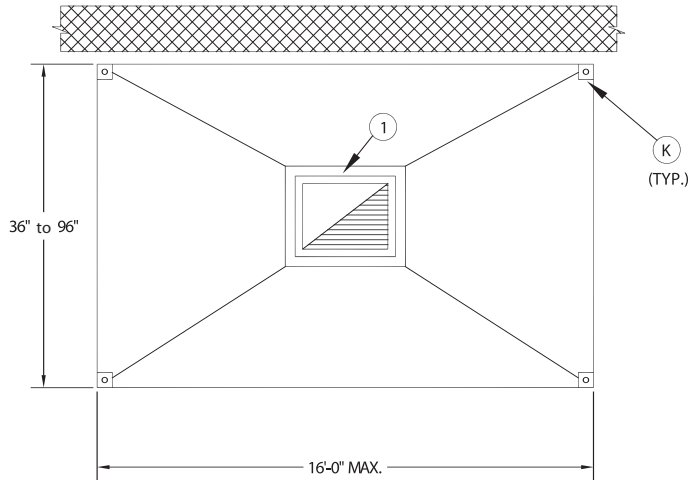
Suspension (recommended height)

The hood should be installed 6' 6" (1,981 mm) from the floor.

**Suggested model**

- All types of ovens  
(pizza, bread, toaster)
- For laboratories

## D Non-filtered hood



### Optional accessories: (see section "K" for details)

<b>1</b>	Exhaust collar (3" high)
<b>A</b>	cULus-listed exhaust collar with fire damper
<b>B</b>	cULus-listed exhaust collar with balancing damper
<b>I</b>	PAC-02 programmable control panel
<b>J</b>	End skirts should be used to maximize hood performance
<b>K</b>	Hanging brackets
<b>P</b>	Velocity plate